

UNDERSTANDING LOCKSET MODES & FUNCTIONS

<p>FREEDOM MODE - Passage Both levers operational, unrestricted entry and exit from your home Outside: Handle is free to enter Inside: Handle is free to exit</p>	<p>SAFETY MODE - Privacy External lever locked for security and internal lever free for escape Outside: Handle is locked. Requires key to unlock Inside: Handle is free to exit. Operating handle unlocks the door</p>	<p>SECURITY MODE - Deadlock Both Sides Caution: When using security mode, please ensure nobody is left home. Security mode will prevent anyone from exiting even in the event of an emergency, unless the keys are readily accessible. Both levers locked by key from either side. Can only be unlocked using your key. Outside: Securely locks, requires key to enter. Inside: Securely locks, requires key to exit.</p>
<p>Free to enter Outside</p> <p>Free to exit Inside</p>	<p>Unlock by key Outside</p> <p>Free to exit Inside</p>	<p>Unlock by key Outside</p> <p>Unlock by key Inside</p>

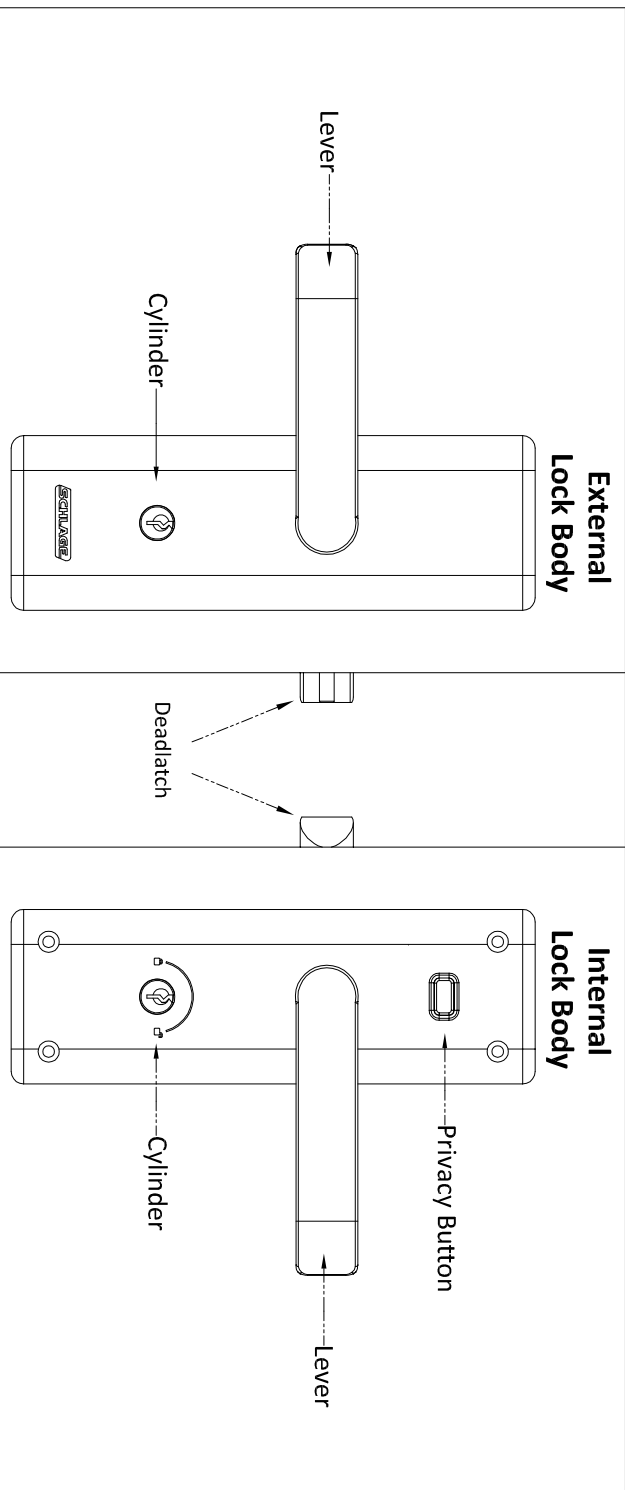
SAFETY MODE

<p>SETTING SAFETY MODE Lock will be set to Safety Mode by manually depressing the privacy button, as illustrated.</p> <p>Free to exit Inside</p> <p>Push the privacy button</p>	<p>ON ENTRY FROM SAFETY MODE A Insert key and rotate anticlockwise until stopped B With key rotated, turn lever downwards to retract latch and enter. When the key is removed, the lock will return to Passage Mode.</p> <p>Outside</p>	<p>ON EXIT FROM SAFETY MODE Turn the internal lever downward. This will release the privacy button and retract the latch. The lock will be left in Passage Mode (Both sides unlocked).</p> <p>Turn lever to retract latch Inside</p> <p>Lock changed to Passage Mode Inside</p>
--	--	--

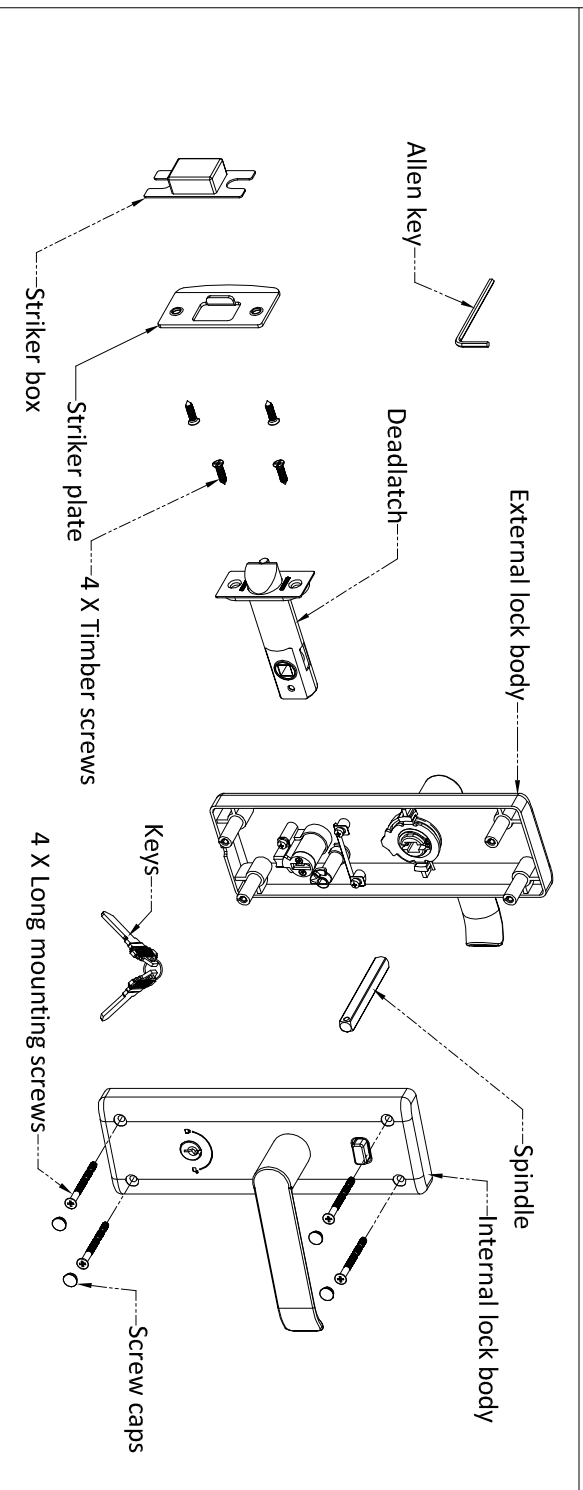
SECURITY MODE

<p>SETTING SECURITY MODE Insert key from either side of the door and rotate to lock handles on both sides. Outside: Turn key clockwise</p> <p>Inside: Turn key anticlockwise</p>	<p>RELEASE SECURITY MODE A Insert key from either side of the door and rotate to unlock both sides. B Turn lever downwards to retract latch and enter. When key is removed, lock will be set to Passage Mode. Outside: Turn key anticlockwise Inside: Turn key clockwise</p>
<p>Outside</p> <p>Inside</p>	<p>Outside</p> <p>Inside</p>

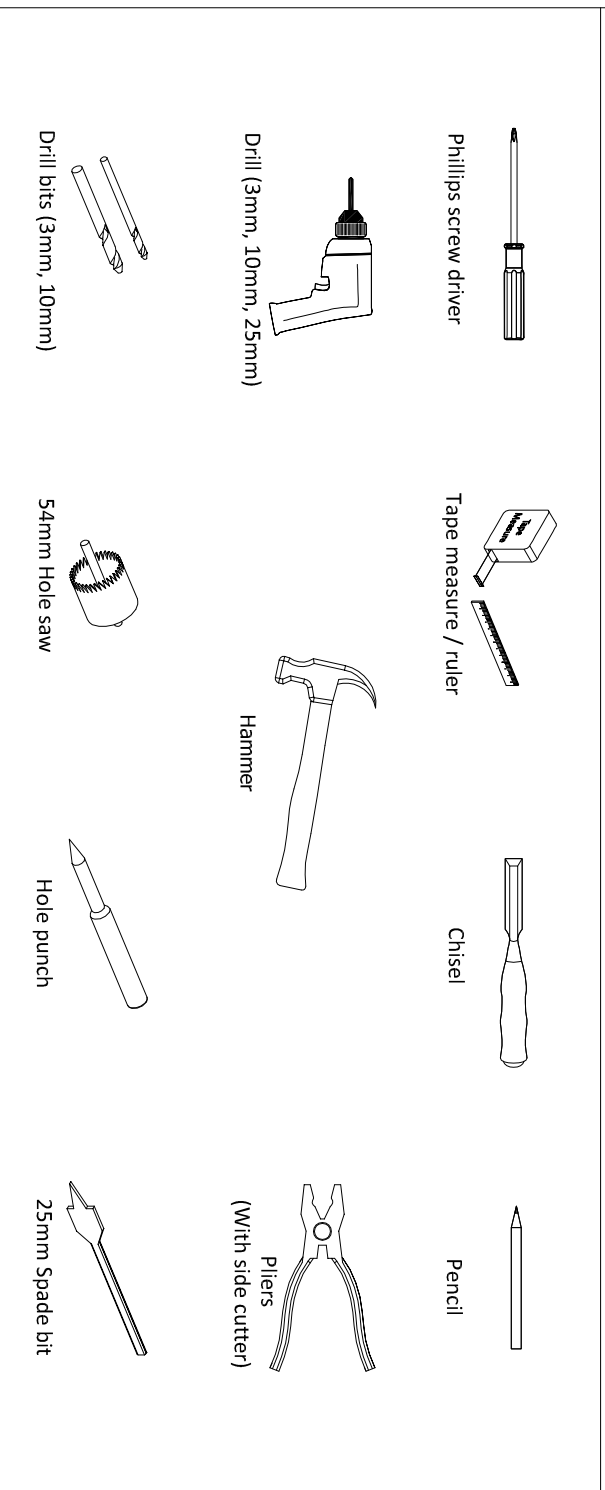
PARTS IDENTIFICATION

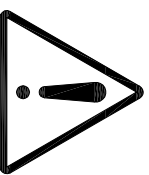


CONTENTS



TOOLS REQUIRED





BEFORE YOU START

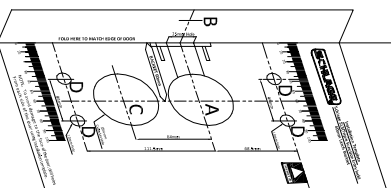
- Please follow the enclosed template and instructions carefully
- Accurate door preparation is essential for the functioning of this lock
- Do not overtighten screws. (Do not use power drills to tighten fixings)
- Ensure your door thickness is between 32mm to 45mm
- Ensure protective eye wear is worn as required

Step 1 Door Preparation

Fold template and mark door at correct height (Suggested height for lever is between 900-1100mm).

- A Mark centre of holes (Note: The latch is adjustable. Choose the template to suit preferred backset 60mm or 70mm)
- B Mark centre of door edge in preparation for latch
- C Mark centre of hole (Must match A centre)
- D Mark centre of fixing holes

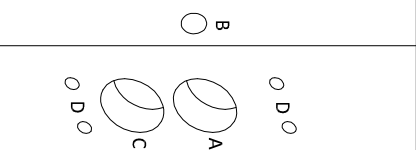
(Note: The position of D will change to suit the selected backset)



Step 2 Drill Holes

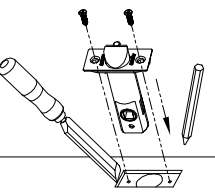
When drilling through the door, drill from both sides to avoid damaging the surface of the door.

- A Use a 54mm hole saw to drill holes through the door
- B Use a 25mm spade bit to drill to a depth of 70mm from the front edge of the door
- C Use a 54mm hole saw to drill holes through the door
- D Use a 10mm drill bit to drill holes through the door



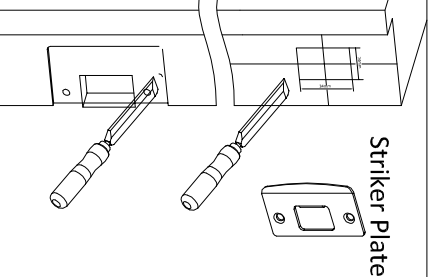
Step 3 Install Latch

- A Insert latch into hole
- B Use pencil to mark around the faceplate. Remove latch once marked
- C Chisel out wood until faceplate fits flush with door edge
- D Fasten latch to door so bevelled edge of latchbolt alignment faces jamb



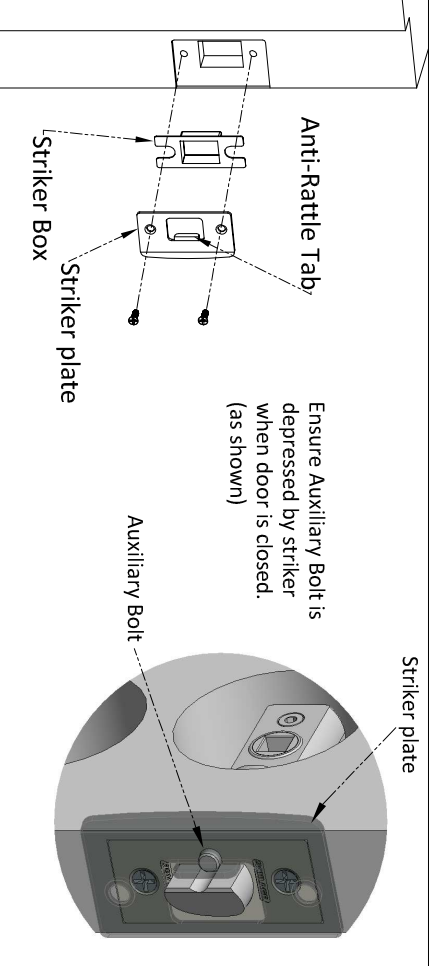
Step 4 Fit Striker Plate

- A Partially close door and mark position of latch bolt on the door jamb to determine the striker plate height
- B Use the striker plate as a pattern to mark the position of the latch
- C As shown, chisel a rectangular hole in marked area, depth of 15mm for striker box
- D Use striker plate as pattern for striker plate cutout.
- E Chisel out until the striker plate is flush with the edge of door jamb



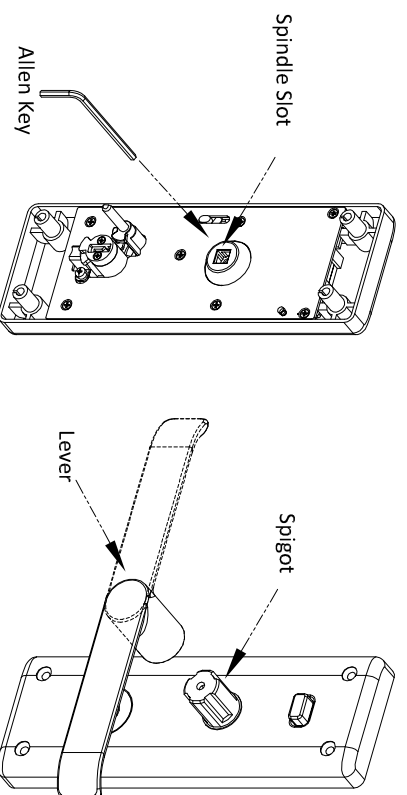
Step 5 Install Striker Plate

- A Insert the striker box into the cutout in the door jamb
- B Insert the striker plate and secure with the screws supplied
- C Check final operation of lock, latch and striker
- D If the door rattles, remove the striker plate and adjust the Anti-Rattle tab using pliers, then re-fit and test for tight fit



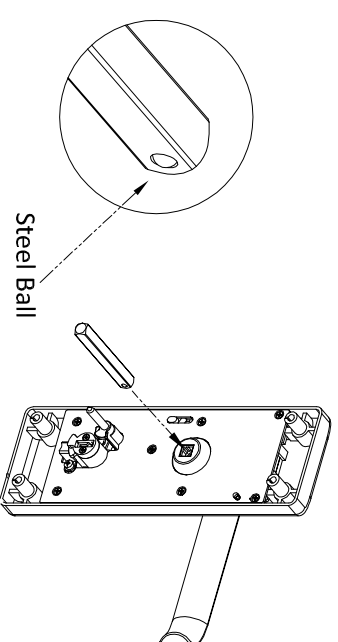
Step 6 Set Handle Direction

- A Insert provided Allen Key into the back of internal spindle slot
- B Use the Allen Key provided to unscrew the lever fixing bolt
- C Slide the lever on/off the spigot after changing the lever direction required
- D Ensure the lever is horizontal and the end points towards hinge side
- E Re-fasten the lever fixing bolts to secure the levers



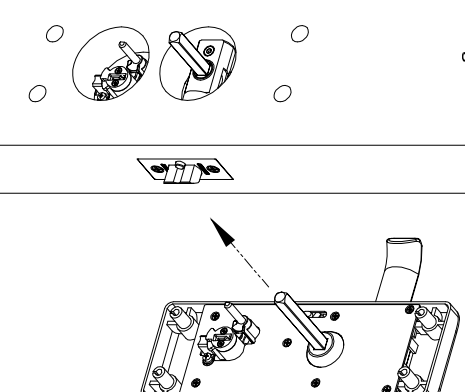
Step 7 Install Spindle

- A Insert ball bearing end of spindle into Internal lock body. (Note: Once spindle is inserted, it cannot be removed.)



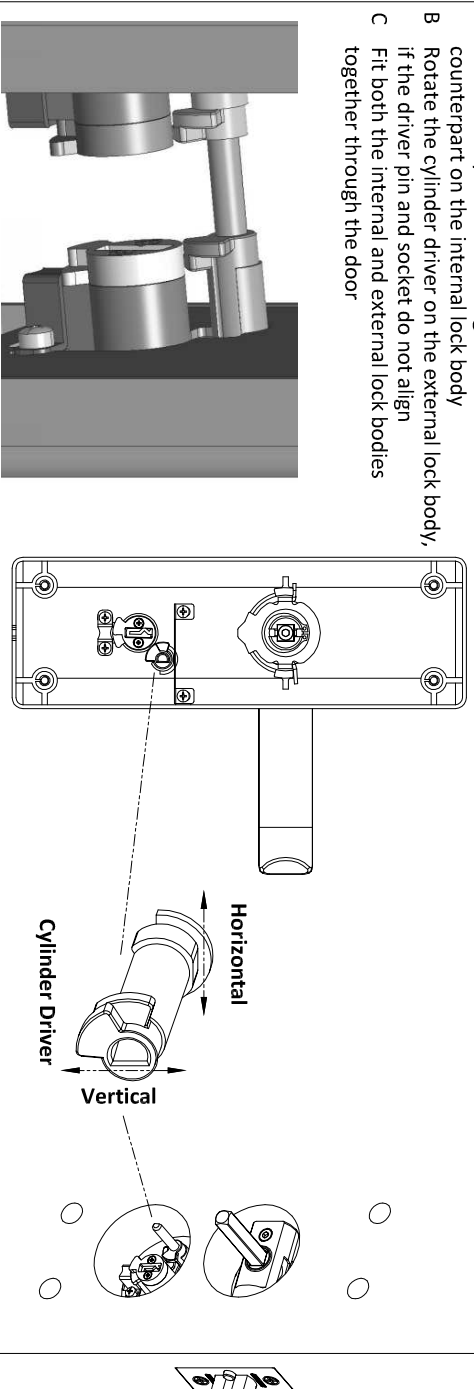
Step 8 Install Internal Lock Body

- Place internal lock body on the door ensuring the spindle is fitted through the latch.



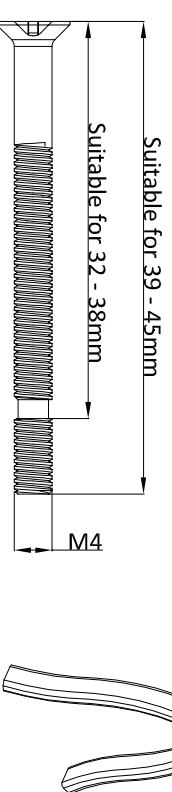
Step 9 Install External Lock Body

- A Ensure the cylinder driver aligns with male counterpart on the internal lock body
- B Rotate the cylinder driver on the external lock body, if the driver pin and socket do not align
- C Fit both the internal and external lock bodies together through the door



Step 10 Install Fixing Screws

- A Cut the fixing screws to suit the thickness of the door
- B Use Phillips head screw driver to hand tighten all fixing screws
- C Once firmly secured test all lock functions to ensure the unit is working properly (refer to User Guide)
- D Plug screw caps into the screw hole and tap into place using the base of a screw driver handle until flush with the internal lock body



WARNING: CHOKING HAZARD-Small Parts Not for children
If using side cutters to cut fixing screws, take appropriate action to protect the eyes of everyone in vicinity

RETROFIT APPLICATION INSTRUCTIONS

If replacing existing door furniture, remove existing furniture and strike. Follow installation steps and use lock body and new latch to cover pre drilled strike and latch holes.

Allegion Australia
Free Phone 1800 098 094
Free Fax 1800 098 095
Email auinfo@allegion.com
www.allegion.com.au

Allegion New Zealand
National Free Phone 0800 477 869
National Free Fax 0800 477 868
Email nzinfo@allegion.com

